

ONLY THE MIGHTIEST!



Swing Kingdom

PLAYSETS & ACCESSORIES CATALOG

CONTENTS

PAGE

About Us	3
Playset Series Table of Contents	4
Quality In Every Detail	6
Tower Series	8
Double Tower Series	16
Mountain Climber Series	26
Playhouse Series	36
Challenger Series	46
Customize Your Set	50
Options & Accessories	51 - 61
Thank You & Warranty	62
What Our Customers are Saying	63



Pergola Roof
page 53

Arched Swing Beam
page 54

Hexagon Tower
page 51



Swing Kingdom

MIGHTY PLAYSETS. SERIOUS FUN.

ABOUT US

For loads of fun and family time, count on Swing Kingdom. A family operated manufacturer of premier vinyl playsets, we strive to design and build fine quality, affordable playsets perfect for children of all ages.

From the 500 square foot building where we started our business in 2000, to our current 43,000 square foot facility, Swing Kingdom has expanded to meet the growing demand for high quality, virtually maintenance-free playsets. We were the first manufacturer to combine vinyl PVC and structural wood, along with stainless steel corner brackets and hardware for superior strength. Today, we continue to use only the finest quality materials to ensure safe, durable playsets built to offer years of enjoyment.

Our play sets are loaded with activities that will spark every child's imagination and encourage daily physical activity and never-ending fun!

TOWER SERIES

DOUBLE TOWER SERIES

MOUNTAIN CLIMBER SERIES

PLAYHOUSE SERIES



A-1 Standard Climber
page 10



A-3 Deluxe
page 11



A-7 Deluxe
page 18



KTB-2 Turbo Tower
page 19



SK-3 Mtn. Climber
page 28



SK-5 Mtn. Climber
page 29



C-1 Hideout
page 38



C-2 Turbo Escape
page 39



A-5 Deluxe
page 12



KC-1 Clubhouse
page 13



RL-1 Adventure
page 20



RL-3 Sports Tower
page 21



SK-12 Mtn. Climber
page 30



SK-15 Mtn. Climber
page 31



C-3 Tunnel Escape
page 40



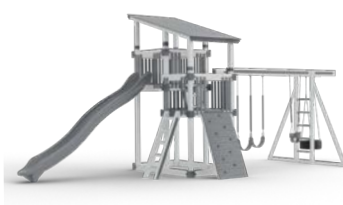
C-5 Castle
page 41



KC-3 Deluxe
page 14



KC-10 Economy Turbo
page 15



RL-4 Super Tower
page 22



RL-10 Cliff Lookout
page 23



SK-18 Mtn. Climber
page 32



SK-30 Mega Mtn. Climber
page 33



C-8 Bridge Escape
page 42



C-10 Hideout
page 43



Hexagon
page 24



SK-40 Rocky Mtn. Climber
page 34



Kingdom Lodge
page 44



KC-8 Fitness Tower
page 48



RL-20 Fitness Adventure
page 49



KRC Extreme
page 25






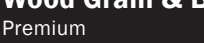

SK-45 Retreat Climber
page 35



SK-60 Cottage Escape
page 45

CHALLENGER SERIES

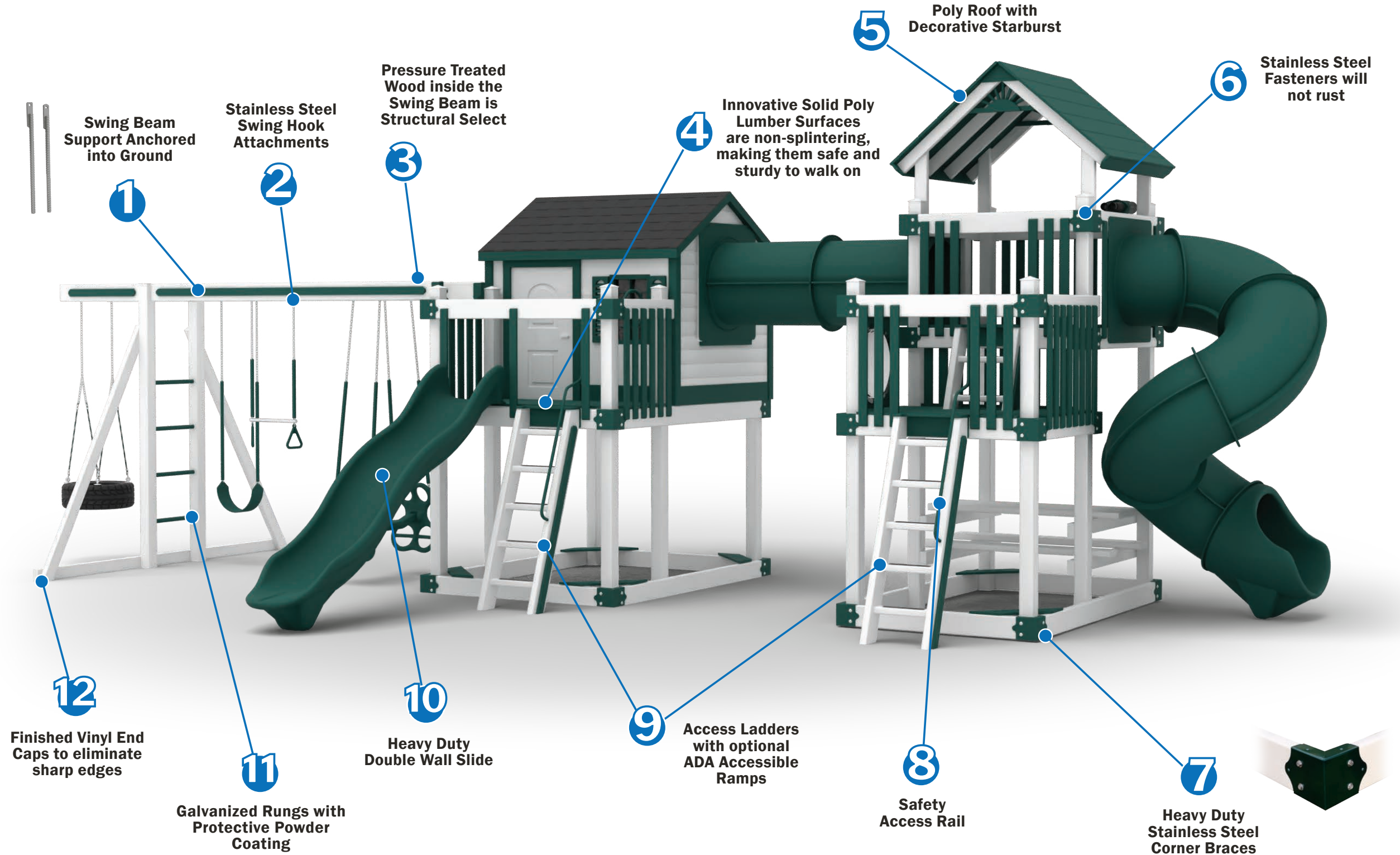
COLOR OPTIONS

-  White & Red
-  Almond & Red
-  White & Blue
-  Almond & Blue
-  White & Green
-  Almond & Green
-  White & Gray
-  Almond & Gray
-  Almond, Yellow & Red
-  Wood Grain & Red
Premium
-  Wood Grain & Blue
Premium
-  Wood Grain & Green
Premium
-  Wood Grain & Gray
Premium

CUSTOM COLORS

*See page 51.

QUALITY IN EVERY DETAIL!





Having fun is as simple as stepping out your back door. Perfect for smaller families, this series includes some of our most popular playsets. With an assortment of swings, slides and more, the Tower Playset Series is great for nearly any size backyard. Start small today and ramp up the fun as your children grow.

TOWER SERIES

A-1 STANDARD CLIMBER



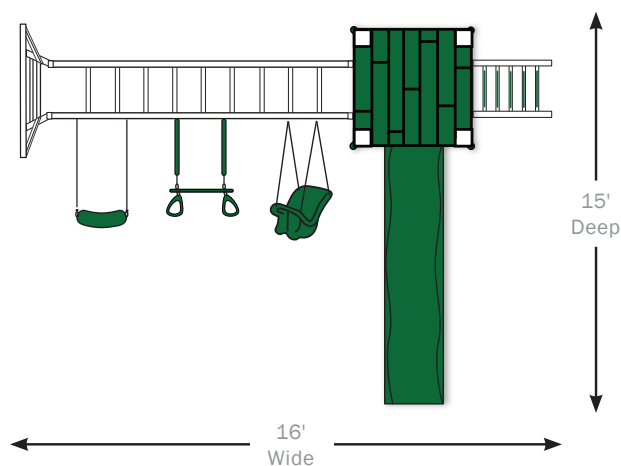
A-3 DELUXE



DETAILS

- Playset Size:** 16' Wide x 15' Deep x 8' High
- Weight:** 486 lbs.
- Space Needed:** 24' Wide x 24' Deep
- Border Needed:** 96'
- Recommended Amount of Rubber Mulch:** 2 Tons
- Tower:** 2' x 2' Tower
- Deck Height:** 5'
- Access:** Rung Climber, Flat Step Access Ladder w/ Access Railing
- Slide:** 10' Waterfall Slide
- Swing Beam:** 3 Position Climber
- Swings:** Belt Swing, Baby Swing, Trapeze
- Anchors:** 4

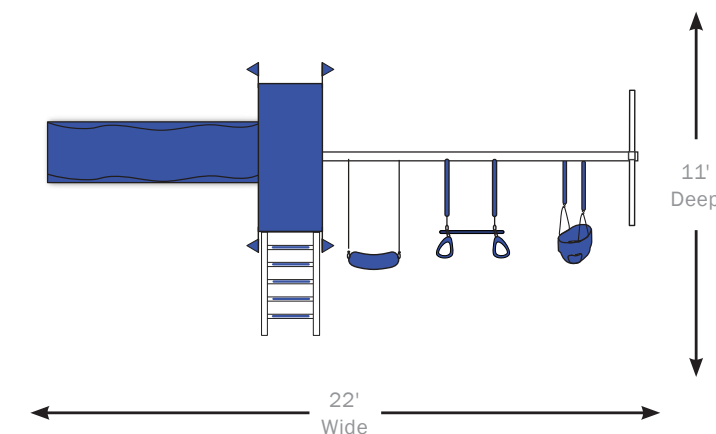
AERIAL VIEW



DETAILS

- Playset Size:** 22' Wide x 11' Deep x 12' High
- Weight:** 982 lbs.
- Space Needed:** 32' Wide x 20' Deep
- Border Needed:** 104'
- Recommended Amount of Rubber Mulch:** 2 Tons
- Tower:** 3' x 5' Tower
- Deck Height:** 5'
- Access:** Flat Step Access Ladder w/ Access Railing
- Roof:** 3' x 8' Canvas Roof w/ Flags
- Slide:** 10' Waterfall Slide
- Swing Beam:** 3 Position Single Beam
- Swings:** Belt Swing, Trapeze, Rubber Infant Swing
- Fun Items:** Ship's Wheel
- Anchors:** 2

AERIAL VIEW



A-5 DELUXE



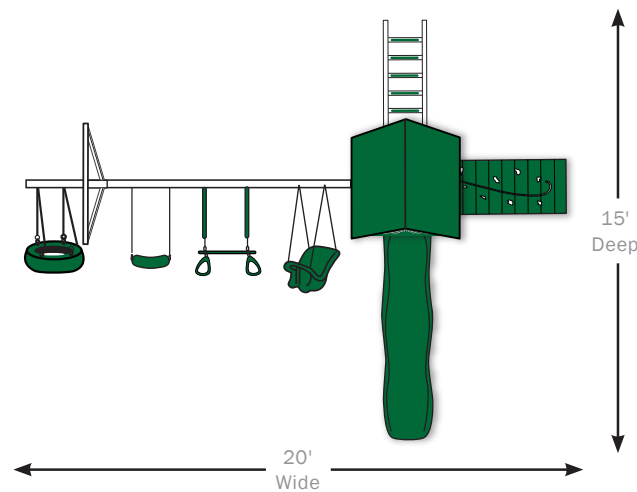
KC-1 CLUBHOUSE



DETAILS

Playset Size: 20' Wide x 15' Deep x 12' High
Weight: 928 lbs.
Space Needed: 28' Wide x 24' Deep
Border Needed: 104'
Recommended Amount of Rubber Mulch: 3 Tons
Tower: 4' x 4' Tower
Deck Height: 5'
Access: Flat Step Access Ladder w/ Access Railing
Roof: 4' x 4' Vinyl Roof
Climber: 3' x 5' Rockwall w/ Rope
Slide: 10' Avalanche Slide
Swing Beam: 4 Position Single Beam
Swings: Belt Swing, Baby Swing, Trapeze, 4-Rope Tire Swing
Fun Items: Steering Wheel
Anchors: 2

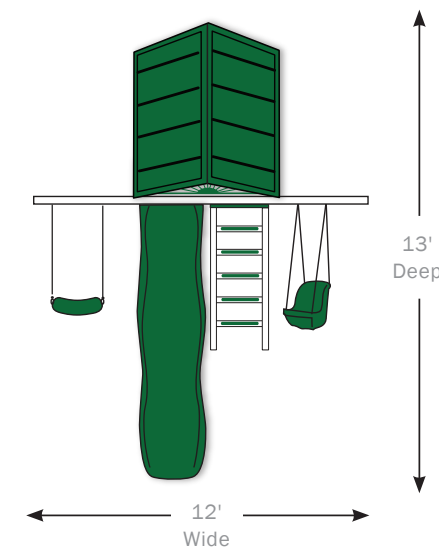
AERIAL VIEW



DETAILS

Playset Size: 12' Wide x 13' Deep x 12' High
Weight: 1,012 lbs.
Space Needed: 20' Wide x 24' Deep
Border Needed: 88'
Recommended Amount of Rubber Mulch: 2 Tons
Tower: 5' x 5' Tower
Deck Height: 5'
Access: Flat Step Access Ladder w/ Access Railing
Roof: Gable Roof
Slide: 10' Avalanche Slide
Swing Beam: 2 Position Extension Arm
Swings: Belt Swing, Baby Swing
Fun Items: (25 sq. ft.) Clubhouse Decking, (20 linear ft.) Clubhouse Walls 5' high, Ship's Wheel, Binoculars
Anchors: 2

AERIAL VIEW



KC-3 DELUXE



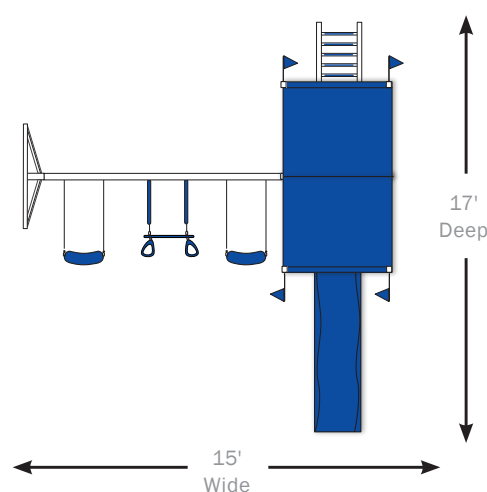
KC-10 ECONOMY TURBO



DETAILS

Playset Size: 15' Wide x 17' Deep x 13' High
Weight: 1,040 lbs.
Space Needed: 24' Wide x 28' Deep
Border Needed: 104'
Recommended Amount of Rubber Mulch: 2 Tons
Tower: 5' x 5' Tower
Deck Height: 5'
Access: Flat Step Access Ladder w/ Access Railing
Roof: 5' x 10' Canvas Roof w/ Flags
Slide: 10' Waterfall Slide
Swing Beam: 3 Position Single Beam
Swings: (2) Belt Swings, Trapeze
Fun Items: Ship's Wheel, Telescope
Anchors: 2

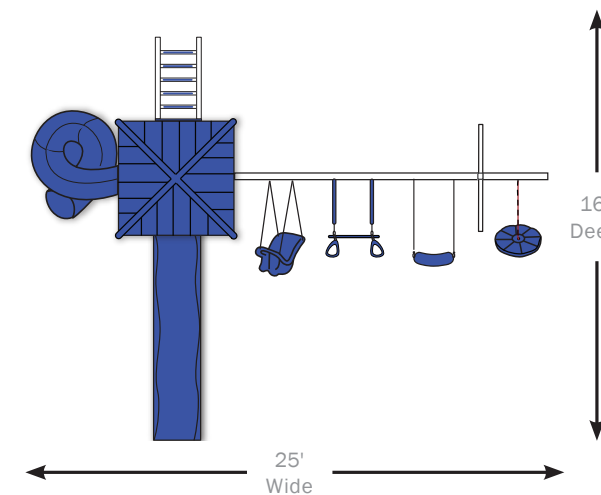
AERIAL VIEW




DETAILS

Playset Size: 25' Wide x 16' Deep x 12'-6" High
Weight: 1,175 lbs.
Space Needed: 36' Wide x 24' Deep
Border Needed: 120'
Recommended Amount of Rubber Mulch: 3 Tons
Tower: 5' x 5' Tower w/ 7' Landing
Deck Height: 5' w/ 7' Landing
Access: Flat Step Access Ladder w/ Access Railing
Roof: 5' x 5' Pyramid Roof
Slides: 10' Waterfall Slide, 7' Turbo Twister Slide
Swing Beam: 4 Position Single Beam
Swings: Belt Swing, Trapeze, Cyclone Disc, Baby Swing
Fun Items: Binoculars
Anchors: 2

AERIAL VIEW





Featuring multiple towers, the Double Tower Playset Series offers more options for adding on some seriously fun accessories. Add ramps, swings, bridges and slides to your next big adventure. With tons of ways to play, our sets bring great style to every backyard!

DOUBLE TOWER SERIES

A-7 DELUXE



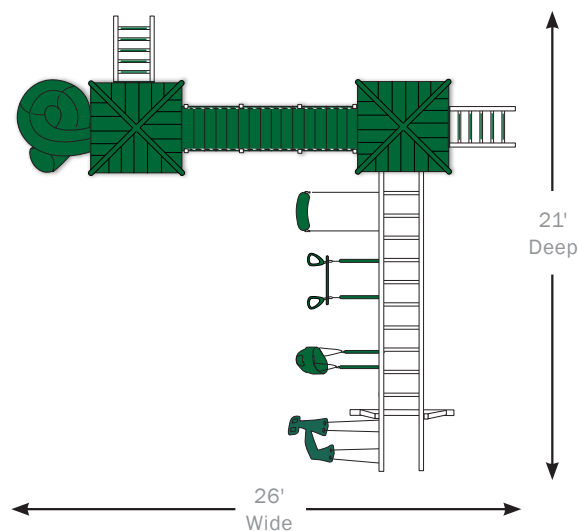
KTB-2 TURBO TOWER



DETAILS

Playset Size: 26' Wide x 21' Deep x 11' High
Weight: 1,758 lbs.
Space Needed: 36' Wide x 32' Deep
Border Needed: 136'
Recommended Amount of Rubber Mulch: 4 Tons
Tower: (2) 4' x 4' Towers
Deck Height: (2) 5'
Access: (2) Flat Step Access Ladders w/ Access Railings
Roof: (2) 4' x 4' Pyramid Roof
Connector: 8' Bridge w/ Rope
Slides: 5' Turbo Twister Slide
Swing Beam: 4 Position Climber Beam
Swings: Belt Swing, Trapeze, Rubber Infant Swing, Uni Rider
Fun Items: Bubble Panel, Ship's Wheel, 4' x 4' Picnic Table, Binoculars
Anchors: 2

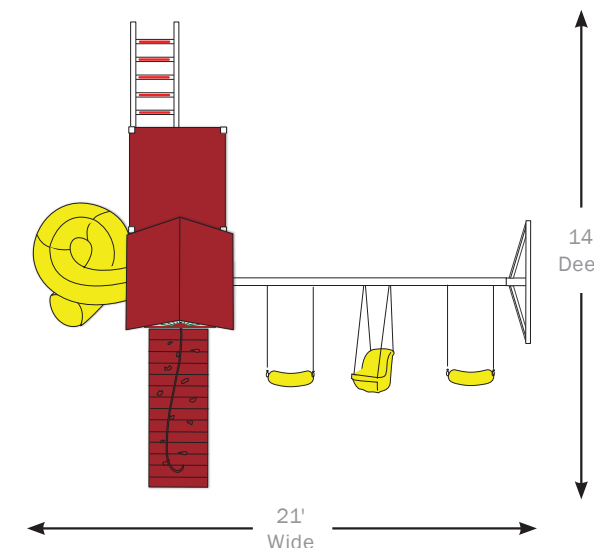
AERIAL VIEW



DETAILS

Playset Size: 21' Wide x 14' Deep x 13' High
Weight: 1,653 lbs.
Space Needed: 32' Wide x 24' Deep
Border Needed: 112'
Recommended Amount of Rubber Mulch: 3 Tons
Tower: 4' x 8' Double Tower
Deck Height: 5', 7'
Access: Flat Step Access Ladder w/ Access Railing
Roof: 4' x 4' Poly Roof
Climber: 3' x 7' Rock Wall w/ Rope
Slide: 7' Turbo Twister Slide
Swing Beam: 3 Position Single Beam
Swings: (2) Belt Swings, Baby Swing
Fun Items: Steering Wheel, Binoculars
Anchors: 2

AERIAL VIEW



R-1 ADVENTURE



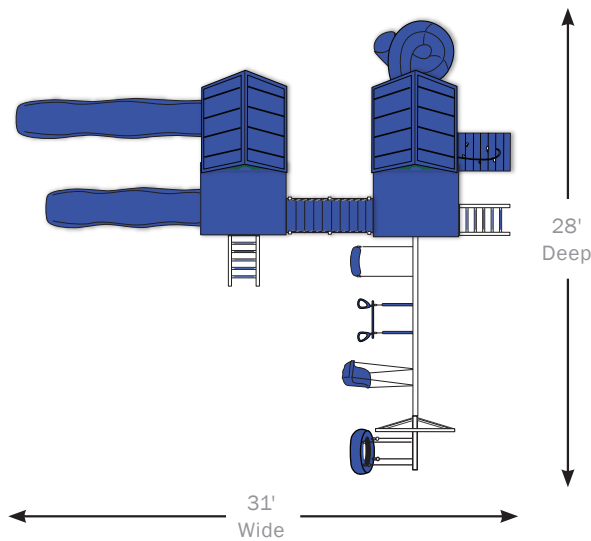
RL-3 SPORTS TOWER



DETAILS

- Playset Size:** 31' Wide x 28' Deep x 13' High
- Weight:** 3,191 lbs.
- Space Needed:** 40' Wide x 36' Deep
- Border Needed:** 152'
- Recommended Amount of Rubber Mulch:** 6 Tons
- Tower:** (2) 5' x 9' Double Towers
- Deck Height:** (2) 5', (2) 7'
- Access:** (2) Flat Step Access Ladders w/ Access Railings
- Roof:** (2) Gable Roofs
- Connector:** 6'-6" Castle Design Bridge
- Climber:** 3' x 7' Rock Wall w/ Rope
- Slides:** 10' Avalanche Slide, 14' Avalanche Slide, 7' Turbo Twister Slide
- Swing Beam:** 4 Position Single Beam
- Swings:** Belt Swing, Trapeze, Baby Swing, 4-Rope Tire Swing
- Fun Items:** Bubble Tunnel, Binoculars, Ship's Wheel, Spotlight, 2' x 5' Lemonade Stand w/ 2 Stools
- Anchors:** 2

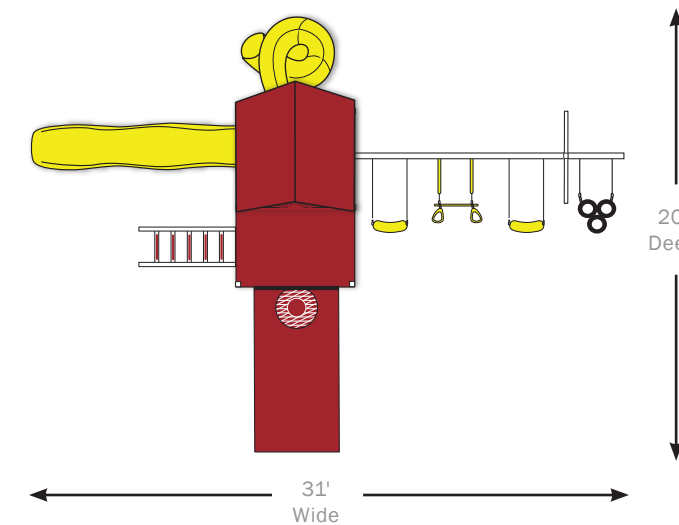
AERIAL VIEW



DETAILS

- Playset Size:** 31' Wide x 20' Deep x 13' High
- Weight:** 1,950 lbs.
- Space Needed:** 40' Wide x 28' Deep
- Border Needed:** 136'
- Recommended Amount of Rubber Mulch:** 5 Tons
- Tower:** 5' x 9' Double Tower
- Deck Height:** 5', 7'
- Access:** Flat Step Access Ladder w/ Access Railing
- Roof:** 5' x 5' Poly Roof
- Slides:** 14' Avalanche Slide, 7' Turbo Twister Slide
- Swing Beam:** 4 Position Single High Beam
- Swings:** (2) Belt Swings for High Beam, Trapeze for High Beam
- Fun Items:** Buzzer Beater Hoops, QB Challenge, 5' x 5' Picnic Table, Megaphone
- Anchors:** 2

AERIAL VIEW



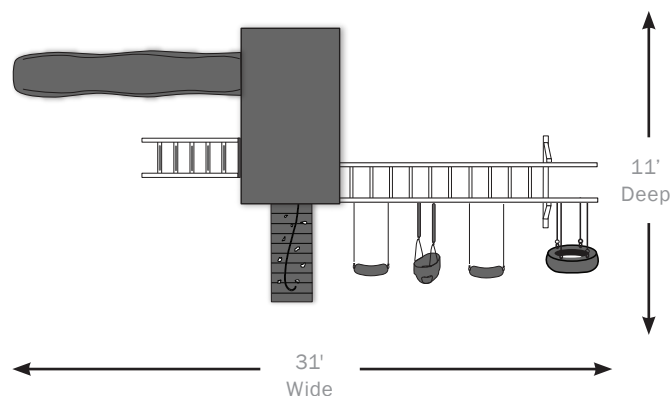
RL-4 SUPER TOWER



DETAILS

- Playset Size:** 31' Wide x 11' Deep x 13' 6" High
- Weight:** 1,682 lbs.
- Space Needed:** 40' Wide x 20' Deep
- Border Needed:** 120'
- Recommended Amount of Rubber Mulch:** 3 Tons
- Tower:** 5' x 9' Double Towers
- Deck Height:** 5', 7'
- Access:** Flat Step Access Ladder w/ Access Railing
- Roof:** 5' x 9' Lean-To Roof
- Climber:** 3' x 5' Rock Wall w/ Rope
- Slide:** 14' Avalanche Slide
- Swing Beam:** 4 Position Climber Beam
- Swings:** (2) Belt Swings, Rubber Infant Swing, 4-Rope Tire Swing
- Anchors:** 2

AERIAL VIEW



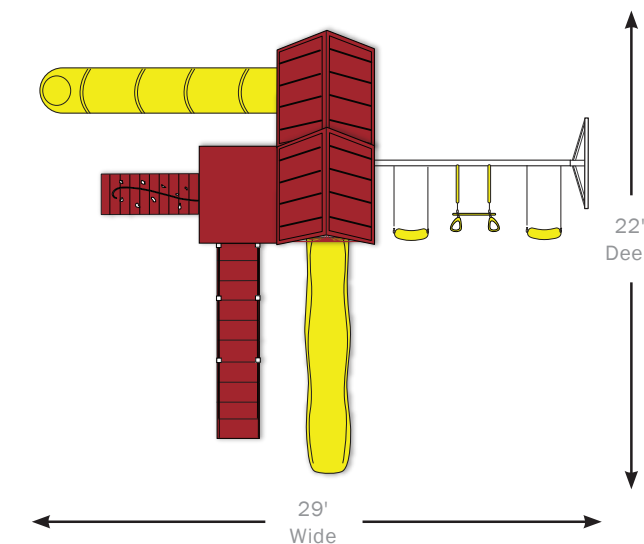
RL-10 CLIFF LOOKOUT



DETAILS

- Playset Size:** 29' Wide x 22' Deep x 16' High
- Weight:** 2,432 lbs.
- Space Needed:** 40' Wide x 32' Deep
- Border Needed:** 144'
- Recommended Amount of Rubber Mulch:** 5 Tons
- Tower:** 5' x 9' Double Tower w/ Jungle Bar Tower
- Deck Height:** 5', 7', 9'
- Access:** 12' Ramp w/ Rope
- Roof:** (2) Gable Roofs
- Climber:** 5' Rock Wall w/ Rope
- Slides:** 14' Avalanche Slide, 9' Tunnel Express Slide
- Swing Beam:** 3 Position Single High Beam
- Swings:** (2) Belt Swings for High Beam, Trapeze for High Beam
- Fun Items:** (25 sq. ft.) Clubhouse Decking, Spotlight, Telescope, Binoculars, 7' Fire Pole, Steering Wheel, Bubble Panel, (20 Linear ft.) Clubhouse Walls 7' high, 4' x 5' Picnic Table, Tic-Tac-Toe
- Anchors:** 2

AERIAL VIEW



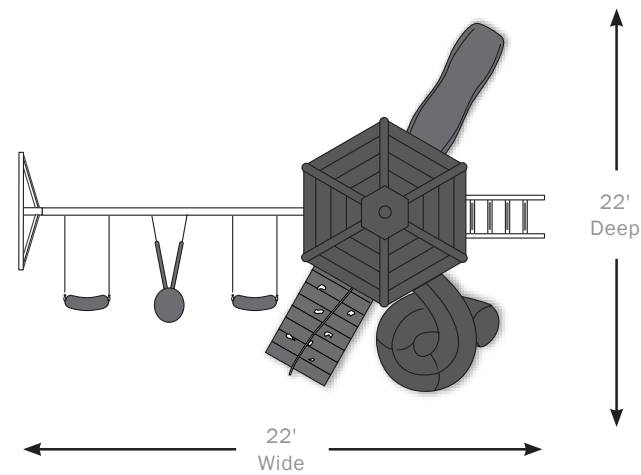
HEXAGON



DETAILS

Playset Size: 22' Wide x 22' Deep x 13' High
Weight: 2,085 lbs.
Space Needed: 32' wide x 32' deep
Border Needed: 128'
Recommended Amount of Rubber Mulch: 3 Tons
Tower: 7' - 6"
Deck Height: 5'
Access: Flat Step Ladder w/ Access railing
Roof: Poly Hexagon Roof
Climber: 3' x 5' Rockwall w/ Rope, 5' x 5' Cargo Net Vertical w/ 2 Handle Bars
Slides: 5' Turbo Twister Slide, 10' Avalanche Slide
Swing Beam: 3 Position Single Beam
Swings: (2) Belt Swings, Buoy Ball
Fun Items: Steering Wheel, Binoculars, Telescope
Anchors: 2

AERIAL VIEW



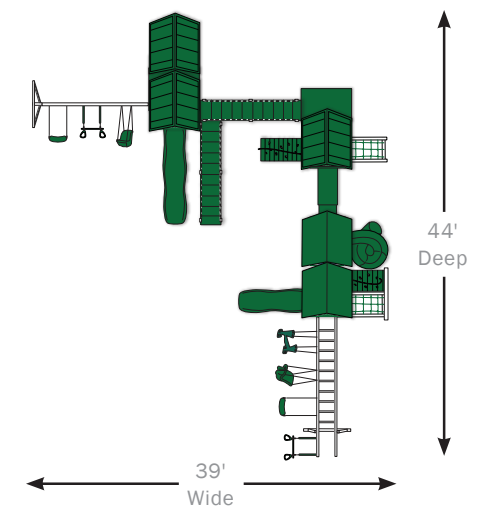
KRC EXTREME



DETAILS

Playset Size: 39' Wide x 44' Deep x 16' High
Weight: 5,641 lbs.
Space Needed: 48' Wide x 52' Deep
Border Needed: 200'
Recommended Amount of Rubber Mulch: 10 Tons
Tower 1: 5' x 5' Mountain Climber w/ Mega 7' Deck for MC
Deck Height: 5', 7'
Access: MC Ladder w/ MC Hand Rail
Roof: (2) 5' x 10' Canvas Roofs w/ Flags
Climber: Rock Wall for MC Leg, Cargo Net for MC Leg
Tower 2: 5' x 9' Double Tower
Deck Height: 5', 7'
Access: Flat Step Access Ladder w/ Access Railing
Roof: Gable Roof
Climber: 3' x 7' Rock Wall w/ Rope, 4' x 5' Cargo Net
Tower 3: 5' x 9' Double Tower w/ Jungle Bar Tower
Deck Height: 5', 7', 9'
Access: 12' Ramp w/ Rope
Roof: (2) Gable Roofs
Connector: 6'-6" Tower Tunnel, 8' Bridge w/ Rope
Slides: 14' Avalanche Slide, 10' Avalanche Slide, 7' Turbo Twister Slide
Swing Beam: 4 Position Climber Beam, 3 Position High Single Beam

AERIAL VIEW



Swings: (3) Belt Swings, (2) Trapeze, Baby Swing, Hammock Swing, Dual Rider, 3-Rope Tire Swing
Fun Items: Bubble Panel, Tic Tac Toe, Ship's Wheel, (2) Binoculars, 5' Fire Pole, Megaphone, Telescope, (25 sq. ft.) Clubhouse Decking, (20 linear ft.) Clubhouse Walls 7' high, Steering Wheel, 4' x 5' Picnic Table
Anchors: 4



Perfect for active families, the Mountain Climber Series features an assortment of climbing elements. Whether it be a cargo net or rock climbing wall, it is sure to ramp up the backyard fun. These unique climbing elements are an easy way to increase exercise and enjoyment for children of all ages. How high will you climb?

MOUNTAIN CLIMBER SERIES

SK-3 MOUNTAIN CLIMBER



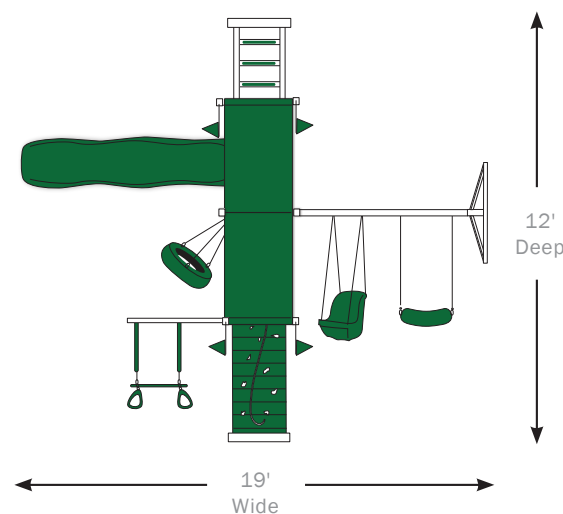
SK-5 MOUNTAIN CLIMBER



DETAILS

Playset Size: 19' Wide x 12' Deep x 11' High
Weight: 789 lbs.
Space Needed: 28' Wide x 20' Deep
Border Needed: 96"
Recommended Amount of Rubber Mulch: 2 Tons
Tower: 3' x 5' Mountain Climber
Deck Height: 5'
Access: Mountain Climber Ladder w/ MC Hand Rail
Roof: 3' X 8' Canvas w/ Flags
Climber: Rock Wall for MC Leg
Slide: 10' Avalanche Slide
Swing Beam: 2 Position Single Beam, 1 Position Swing Arm
Swings: Belt Swing, Trapeze, Baby Swing, 3-Rope Tire Swing
Fun Items: Steering Wheel, Telescope
Anchors: 2

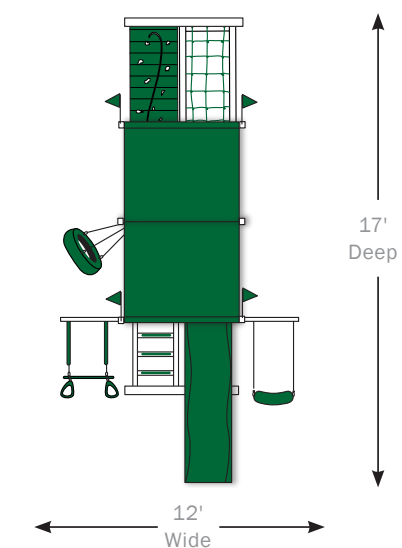
AERIAL VIEW



DETAILS

Playset Size: 12' Wide x 17' Deep x 12' High
Weight: 1,162 lbs.
Space Needed: 20' Wide x 28' Deep
Border Needed: 96"
Recommended Amount of Rubber Mulch: 2 Tons
Tower: 5' x 5' Mountain Climber
Deck Height: 5'
Access: MC Ladder w/ MC Hand Rail
Roof: 5' x 10' Canvas Roof w/ Flags
Climber: Rock Wall for MC Leg, Cargo Net for MC Leg
Slide: 10' Waterfall Slide
Swing Beam: 2 Position Cross Beam
Swings: Belt Swing, Trapeze, 3-Rope Tire Swing
Fun Items: Telescope, Steering Wheel
Anchors: 4

AERIAL VIEW



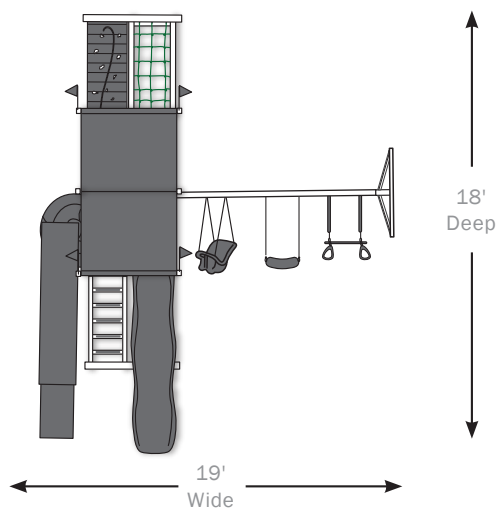
SK-12 MOUNTAIN CLIMBER



DETAILS

Playset Size: 19'w x 18'd x 12'h
Weight: 1,280 lbs.
Space Needed: 28' Deep x 28' Wide
Border Needed: 112'
Recommended Amount of Rubber Mulch: 3 Tons
Tower: 5' x 5' Deck
Deck Height: 5'
Access: MC Ladder w/ MC Hand Rail
Roof: 5' x 10' Canvas w/ flags
Climber: Rock Wall for MC Leg, Cargo Net for MC Leg
Slides: 10' Avalanche Slide, 5' Sidewinder Slide
Swing Beam: 3 Position Single Beam
Swings: Belt Swing, Trapeze, Baby Swing, 3-Rope Tire Swing
Fun Items: Tic Tac Toe Panel, Telescope
Anchors: 2

AERIAL VIEW



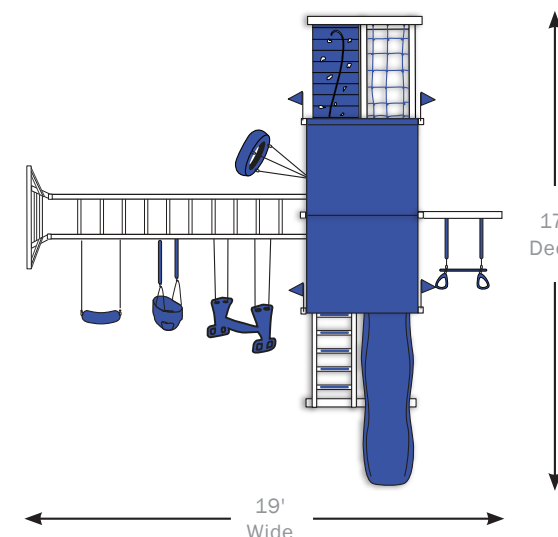
SK-15 MOUNTAIN CLIMBER



DETAILS

Playset Size: 19' Wide x 17' Deep x 12' 6" High
Weight: 1,241 lbs.
Space Needed: 28' Wide x 28' Deep
Border Needed: 112'
Recommended Amount of Rubber Mulch: 3 Tons
Tower: 5' x 5' Deck
Deck Height: 5'
Access: MC Ladder w/ MC Hand Rail
Roof: 5' x 10' Canvas Roof w/ Flags
Climber: 5' Rock Wall for MC Leg, Cargo Net for MC Leg
Slide: 10' Avalanche Slide
Swing Beam: 3 Position Climber Beam, 1 Position Swing Arm
Swings: Trapeze, 3 Rope Tire Swing, Dual Rider, Rubber Infant Swing, Belt Swing
Fun Items: Ships Wheel, Binoculars
Anchors: 2

AERIAL VIEW



SK-18 MOUNTAIN CLIMBER



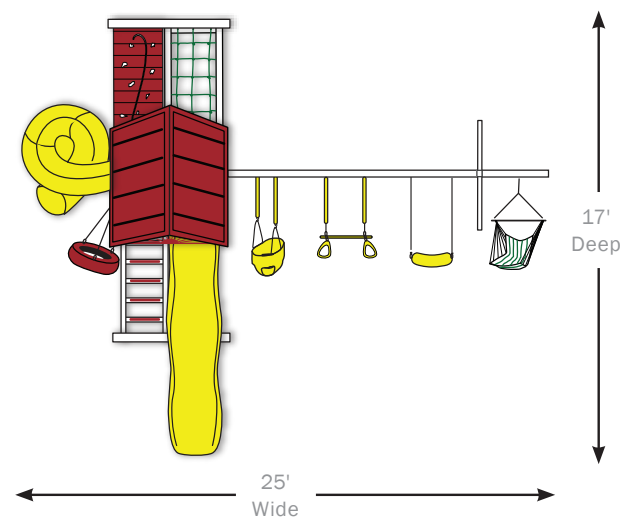
SK-30 MEGA MOUNTAIN CLIMBER



DETAILS

Playset Size: 25' Wide x 17' Deep x 12' High
Weight: 1,380 lbs.
Space Needed: 36' Wide x 28' Deep
Border Needed: 128'
Recommended Amount of Rubber Mulch: 3 Tons
Tower: 5' x 5' Mountain Climber w/ 7' Landing
Deck Height: 5' w/ 7' Landing
Access: MC Ladder w/ MC Hand Rail
Roof: Gable Roof
Climber: Rock Wall for MC Leg, Cargo Net for MC Leg
Swing Beam: 4 Position Single Beam
Slides: 10' Avalanche Slide, 7' Turbo Twister Slide
Swings: Belt Swing, Trapeze, Hammock Swing, 3-Rope Tire Swing, Rubber Infant Swing
Fun Items: Ship's Wheel, Telescope
Anchors: 2

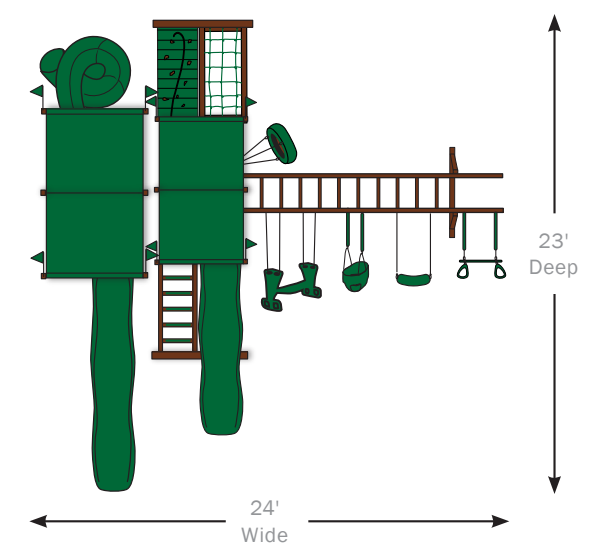
AERIAL VIEW



DETAILS

Playset Size: 24' Wide x 23' Deep x 14' High
Weight: 1,932 lbs.
Space Needed: 32' Wide x 32' Deep
Border Needed: 128'
Recommended Amount of Rubber Mulch: 4 Tons
Tower: 5' x 5' Mountain Climber w/ Mega 7' Deck for MC
Deck Height: 5', 7'
Access: MC Ladder w/ MC Hand Rail
Roof: (2) 5' x 10' Canvas Roofs w/ Flags
Climber: Rock Wall for MC Leg, Cargo Net for MC Leg
Swing Beam: 4 Position Climber Beam
Slides: 10' Avalanche Slide, 14' Avalanche Slide, 7' Turbo Twister Slide
Swings: Trapeze, Dual Rider, 3-Rope Tire Swing, Rubber Infant Swing, Hammock Swing, Belt Swing
Fun Items: Steering Wheel, Megaphone, Telescope
Anchors: 2

AERIAL VIEW



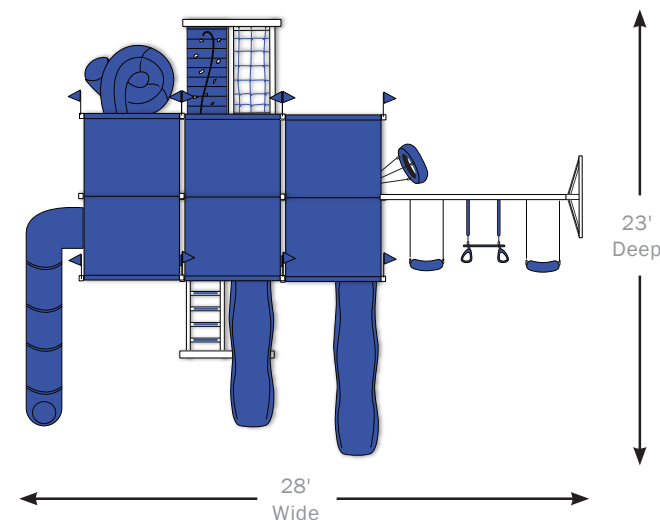
SK-40 ROCKY MOUNTAIN CLIMBER



DETAILS

Playset Size: 28' Wide x 23' Deep x 14' High
Weight: 2,492 lbs.
Space Needed: 36' Wide x 32' Deep
Border Needed: 136'
Recommended Amount of Rubber Mulch: 5 Tons
Tower: 5' x 5' Mountain Climber w/ (2) Mega 7' Decks for MC
Deck Height: (2) 7', 5'
Access: MC Ladder w/ MC Hand Rail
Roofs: (3) 5' x 10' Canvas Roofs w/ Flags
Climber: Rock Wall for MC Leg, Cargo Net for MC Leg
Swing Beam: 3 Position Single High Beam
Slides: 10' Avalanche Slide, 14' Avalanche Slide, 7' Turbo Twister Slide, 7' Sidewinder Slide
Swings: (2) Belt Swings for High Beam, Trapeze for High Beam, 3-Rope Tire Swing
Fun Items: Ship's Wheel, Telescope, Binoculars, Bubble Panel
Anchors: 2

AERIAL VIEW



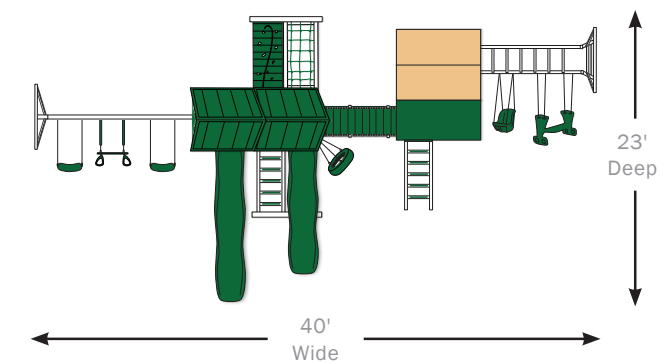
SK-45 RETREAT CLIMBER



DETAILS

Playset Size: 40' Wide x 23' Deep x 14' High
Weight: 3,864 lbs.
Space Needed: 48' Wide x 32' Deep
Border Needed: 160'
Recommended Amount of Rubber Mulch: 6 Tons
Tower: 5' x 5' Mountain Climber, Mega 7' Deck for MC, 6' x 8' Playhouse Tower, Extra Window w/ Shutters
Deck Height: (2) 5', 7'
Access: Flat Step Access Ladder w/ Access Railing & MC Ladder w/ MC Hand Rail
Roofs: (2) 5' x 5' Poly Roofs
Climber: Rock Wall for MC Leg, Cargo Net for MC Leg
Connector: 6'-6" Bridge w/ Rope
Slides: 10' Avalanche Slide, 14' Avalanche Slide, 7' Turbo Twister Slide
Swing Beam: 3 Position Single High Beam, 2 Position Climber Beam
Swings: (2) Belt Swings for High Beam, Trapeze for High Beam, Baby Swing, Dual Rider, 3-Rope Tire Swing
Fun Items: Telescope, Binoculars, Tic Tac Toe, 2' x 6' Lemonade Stand w/ (2) Stools
Anchors: 4

AERIAL VIEW



A young boy with dark hair, wearing a red ribbed sweater, is smiling broadly from a window of a playhouse. The playhouse has white trim and green shutters. The background shows a clear blue sky with some light clouds. The overall scene is bright and cheerful.

The Playhouse Series gives children swings, slides, and a place to call their own, with room to let imaginations grow. This series is ideal for active imaginations and families of all sizes.

PLAYHOUSE SERIES

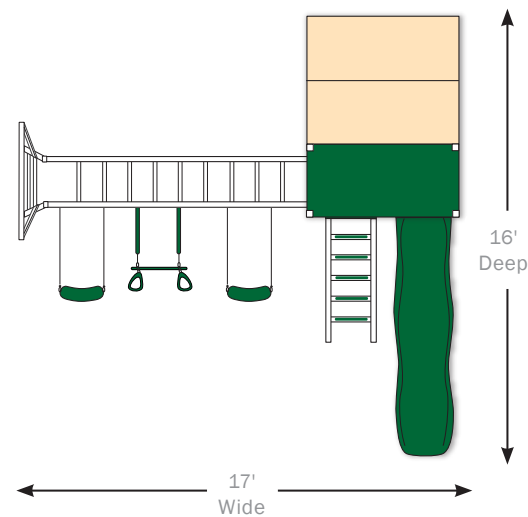
C-1 HIDEOUT



DETAILS

Playset Size: 17' Wide x 16' Deep x 10' High
Weight: 1,597 lbs.
Space Needed: 28' Wide x 24' Deep
Border Needed: 104'
Recommended Amount of Rubber Mulch: 3 Tons
Tower: 6' x 8' Playhouse Tower, Extra Window w/ Shutters
Deck Height: 5'
Access: Flat Step Access Ladder w/ Access Railing
Slide: 10' Avalanche Slide
Swing Beam: 3 Position Climber Beam
Swings: (2) Belt Swings, Trapeze
Anchors: 2

AERIAL VIEW



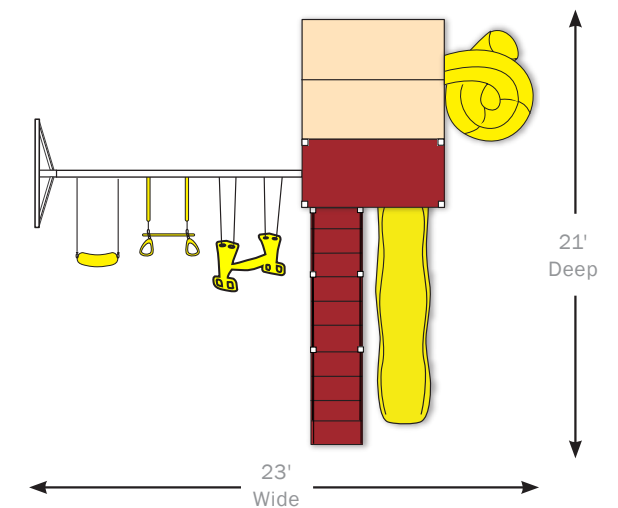
C-2 TURBO ESCAPE



DETAILS

Playset Size: 23' Wide x 21' Deep x 10' High
Weight: 1,835 lbs.
Space Needed: 32' Wide x 32' Deep
Border Needed: 128'
Recommended Amount of Rubber Mulch: 4 Tons
Tower: 6' x 8' Playhouse Tower, Extra 7' Landing, Extra Window w/ Shutters
Deck Height: 5' w/ 7' Landing
Access: 12' Ramp w/ Rope
Slides: 10' Avalanche Slide, 7' Turbo Twister Slide
Swing Beam: 3 Position Single Beam
Swings: Belt Swing, Trapeze, Dual Rider w/ 4-Point Swing Adapter
Fun Items: Ship's Wheel
Anchors: 2

AERIAL VIEW



C-3 TUNNEL ESCAPE



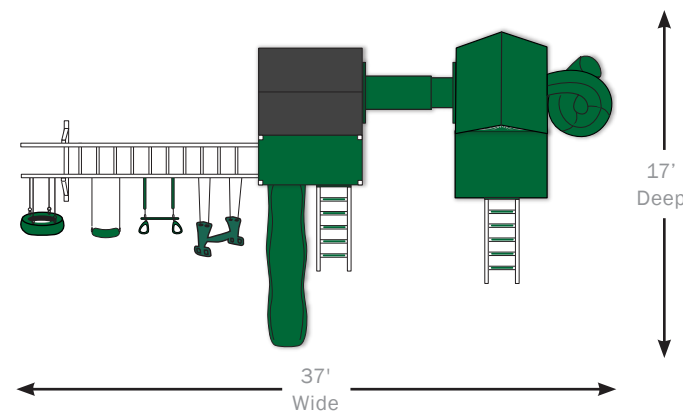
C-5 CASTLE



DETAILS

Playset Size: 37' Wide x 17' Deep x 13' High
Weight: 3,416 lbs.
Space Needed: 48' Wide x 28' Deep
Border Needed: 152'
Recommended Amount of Rubber Mulch: 5 Tons
Tower: 5' x 9' Tower, 6' x 8' Playhouse Tower, Extra 7' Landing, Extra Windows w/ Shutters
Deck Height: (2) 5', 7'
Access: (2) Flat Step Access Ladders w/ Access Railing
Slides: 10' Avalanche Slide, 7' Turbo Twister Slide
Roof: 5' x 5' Poly Roof
Connector: 6'-6" Tower Tunnel
Swing Beam: 4 Position Climber Beam
Swings: 4 Rope Tire Swing, Belt Swing, Trapeze, Dual Rider
Fun Items: Ship's Wheel, Telescope, Bubble Panel, 5' x 5' Picnic Table
Anchors: 2

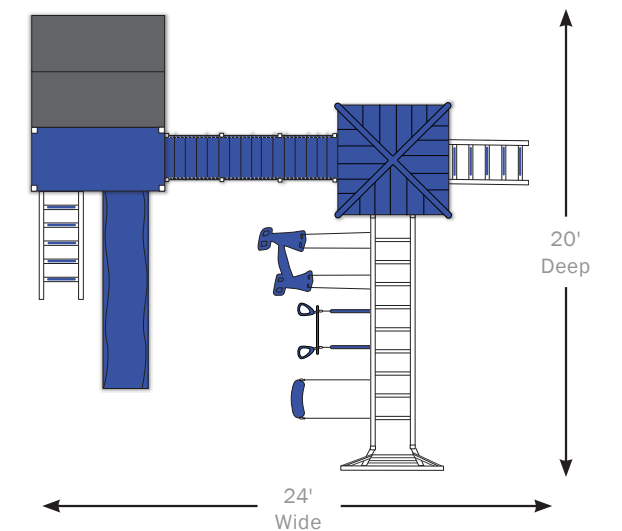
AERIAL VIEW



DETAILS

Playset Size: 24' Wide x 20' Deep x 10' High
Weight: 2,416 lbs.
Space Needed: 32' Wide x 28' Deep
Border Needed: 120'
Recommended Amount of Rubber Mulch: 4 Tons
Tower: 5' x 5' Tower, 6' x 8' Playhouse Tower, Extra Window w/ Shutters
Deck Height: (2) 5'
Access: (2) Flat Step Access Ladders w/ Access Railings
Slide: 10' Waterfall Slide
Roof: 5' x 5' Pyramid Roof
Connector: 8' Bridge w/ Rope
Swings: Belt Swing, Trapeze, Dual Rider
Swing Beam: 3 Position Climber Beam
Fun Items: 5' x 6' Picnic Table, Telescope, Ship's Wheel, Spotlight
Anchors: 2

AERIAL VIEW



C-8 BRIDGE ESCAPE

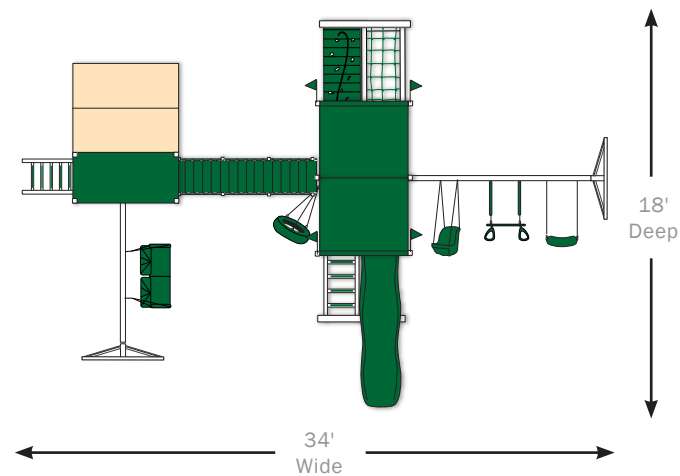


C-10 HIDEOUT

DETAILS

Playset Size: 34' Wide x 18' Deep x 12' High
Weight: 1,735 lbs.
Space Needed: 44' Wide x 28' Deep
Border Needed: 144'
Recommended Amount of Rubber Mulch: 5 Tons
Tower: 5' x 5' Mountain Climber, 6' x 8' Playhouse Tower, Extra Windows w/ Shutters
Deck Height: (2) 5'
Access: Flat Step Access Ladder w/ Access Railing, MC Ladder w/ MC Hand Rail
Connector: 8' Bridge w/ Rope
Roof: 5' x 10' Canvas Roof w/ Flags
Climber: Rock Wall for MC Leg, Cargo Net for MC Leg
Slide: 10' Avalanche Slide
Swing Beam: 3 Position Single Beam, 2 Position Single Beam
Swings: Belt Swing, Trapeze, Baby Swing, Fanback Lawn Swing, 3-Rope Tire Swing
Fun Items: Ship's Wheel, (2) Binoculars
Anchors: 4

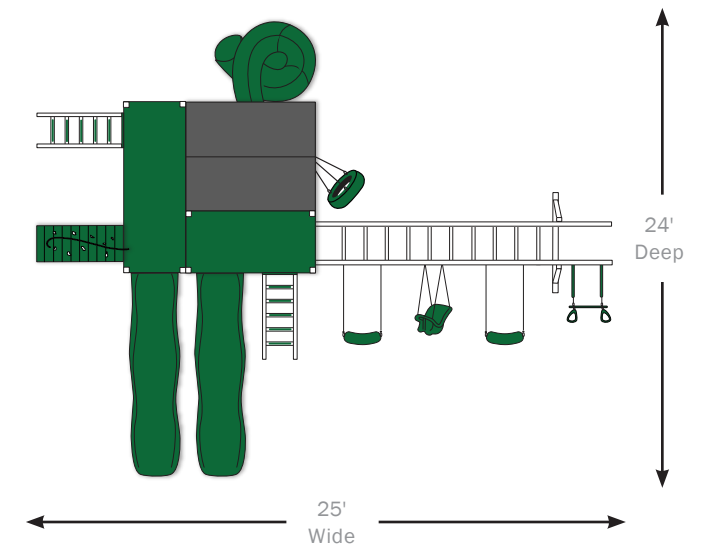
AERIAL VIEW



DETAILS

Playset Size: 25' Wide x 24' Deep x 10' High
Weight: 2,447 lbs.
Space Needed: 36' Wide x 32' Deep
Border Needed: 136'
Recommended Amount of Rubber Mulch: 4 Tons
Tower: 8' x 9' Playhouse w/ (2) 3' x 8' Porches, Extra 7' Landing, Extra Windows w/ Shutters
Deck Height: 5' w/ 7' Landing
Access: (2) Flat Step Access Ladders w/ Access Railings
Slides: (2) 10' Avalanche Slides, 7' Turbo Twister Slide
Climber: 3' x 5' Rock Wall w/ Rope
Swing Beam: 4 Position Climber Beam
Swings: (2) Belt Swings, Baby Swing, 3-Rope Tire Swing, Trapeze
Fun Items: Ship's Wheel, Binoculars, Tic Tac Toe
Anchors: 2

AERIAL VIEW



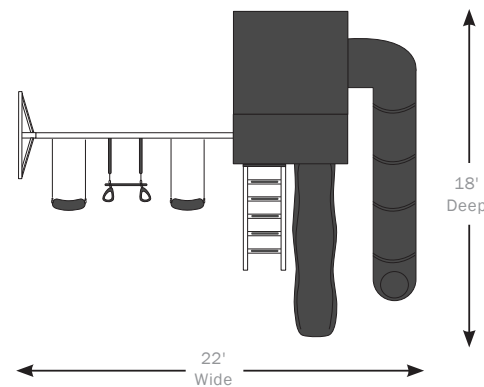
KINGDOM LODGE



DETAILS

Playset Size: 22' Wide x 18' Deep x 15' High
Weight: 2,205 lbs.
Space Needed: 32' Wide x 28' Deep
Border Needed: 120'
Recommended Amount of Rubber Mulch: 3 Tons
Tower Size: 6' x 9' Tower with 6' x 6' Playhouse, Extra Window w/ Trim
Deck Height: 5'
Access: Flat Step Ladder w/ Access Railing
Roof: Kingdom Lodge Roof - Black
Slides: 7' Sidewinder Slide with 2 Clear Sections, 10' Avalanche Slide
Swing Beam: 3 Position Single Beam
Swings: (2) Belt Swings, Trapeze
Anchors: 2

AERIAL VIEW



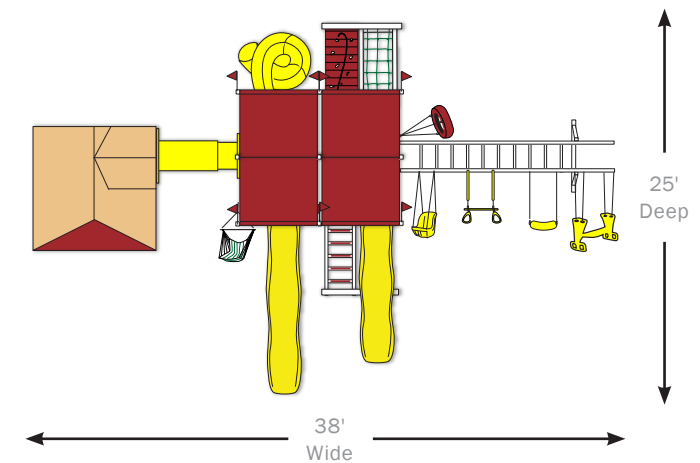
SK-60 COTTAGE ESCAPE



DETAILS

Playset Size: 38' Wide x 25' Deep x 14' High
Weight: 4,628 lbs.
Space Needed: 48' Wide x 36' Deep
Border Needed: 168'
Recommended Amount of Rubber Mulch: 6 Tons
Tower: 5' X 5' Mountain Climber w/ Mega 7' Deck for MC, 8' x 12' Base, 8' x 8' Playhouse w/ 4' x 8' Porch, Extra Windows w/ Shutters
Deck Height: 5', 7'
Access: MC Ladder w/ MC Hand Rail
Slides: 10' Avalanche Slide, 7' Turbo Twister Slide, 14' Avalanche Slide
Roofs: (2) 5' x 10' Canvas Roofs w/ Flags
Connector: 6'-6" Tower Tunnel
Climber: Rock Wall for MC Leg, Cargo Net for MC Leg
Swing Beam: 4 Position Climber Beam
Swings: Belt Swing, Dual Rider, Trapeze, 3-Rope Tire Swing, Baby Swing, Hammock Swing
Fun Items: Ship's Wheel, Telescope, Megaphone
Anchors: 2

AERIAL VIEW



Are your kids up for the challenge? We have exactly what you are looking for! With the Challenger Series, they will experience the next level of climbing and adventure. Fitness has never been more fun!

CHALLENGER SERIES

KC-8 FITNESS TOWER



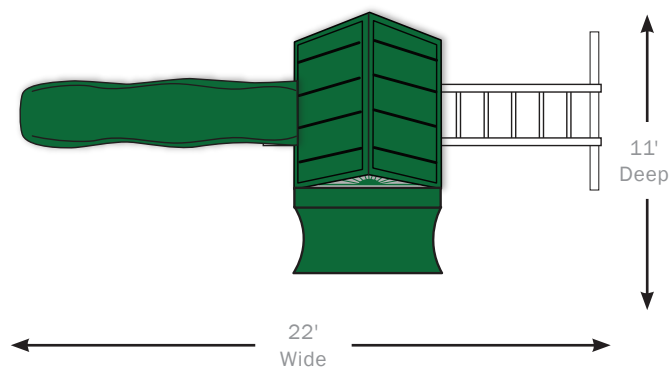
RL-20 FITNESS ADVENTURE



DETAILS

Playset Size: 22' Wide x 11' Deep x 12' High
Weight: 1,350 lbs.
Space Needed: 32' Wide x 20' Deep
Border Needed: 104'
Recommended Amount of Rubber Mulch: 2 Tons
Tower: 5' x 5' Tower
Deck Height: 5'
Access: Flat Step Access Ladder w/ Access Railing
Roof: 5' x 5' Poly Roof
Slide: 10' Avalanche Slide
Swing Beam: NOC Climber w/ V-Climber and Salmon Ladder
Fun Items: 5' x 5' Picnic Table, 8' Warp Wall
Anchors: 2

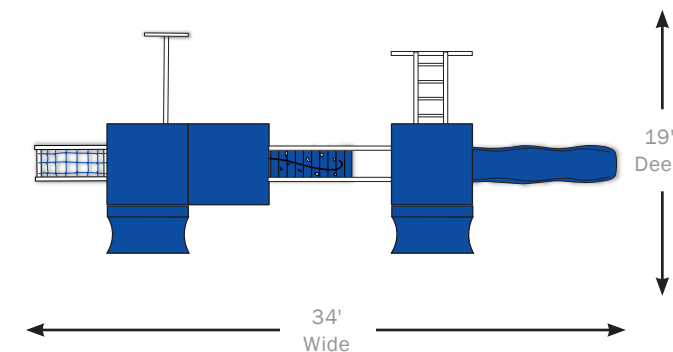
AERIAL VIEW



DETAILS

Playset Size: 34' Wide x 19' Deep x 10' High
Weight: 2,943 lbs.
Space Needed: 44' Wide x 28' Deep
Border Needed: 144'
Recommended Amount of Rubber Mulch: 5 Tons
Towers: 5' x 5' Tower, 5' x 9' Double Tower
Deck Heights: (2) 5', 7'
Access: Flat Step Access Ladder w/ Access Railing
Climber: 3' x 5' Rock Wall w/ Rope, 5' x 5' Vertical Cargo Net, 5' x 7' Vertical Cargo Net
Slide: 10' Avalanche Slide
Swing Beam: NOC Climber w/ V-Climber, Salmon Ladder, 3 Position Climber Beam, 3 Position Single High Beam
Fun Items: (6) 16' Climbing Ropes, 5' Fire Pole, 8' Warp Wall, 10' Warp Wall
Anchors: 4

AERIAL VIEW



3D DESIGN CENTER

When it comes to a Swing Kingdom playset, there is nothing “cookie-cutter” about it. Every one of our vinyl playsets can be customized. Simply pick one of our residential playset designs and customize it to fit your vision!

Help design your family’s unique playset. It’s fast and easy. Simply follow the steps below to begin customizing your next big adventure. Click on the balloons to add and remove play features.



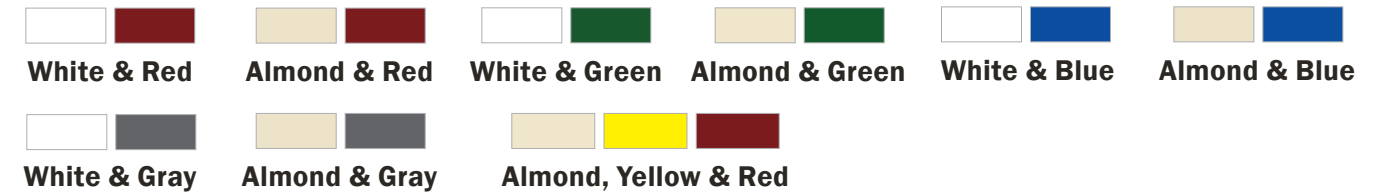
5 EASY STEPS

- 1 Visit the Design Center on our website to start building.
- 2 Use the balloons to add, remove or change products and customize your ultimate playset.
- 3 Save your design and request a quote from our knowledgeable team send your unique design to our builders.
- 4 Order your dream playset today.
- 5 Start PLAYING!

YOUR KINGDOM STARTS HERE!

COLOR OPTIONS

STANDARD



PREMIUM (Upcharge)



TOWER OPTIONS



2' x 2' Tower



4' x 4' Tower



3' x 5' Tower



5' x 5' Tower



4' x 8' Double



5' x 9' Double



5' x 9' Double with Jungle Bar Tower



Hexagon Tower



3' x 5' Mtn. Climber



5' x 5' Mtn. Climber



Mega Mtn. Climber



Rocky Mtn. Climber

PLAYHOUSE OPTIONS



**6' x 8'
Playhouse Tower**



**8' x 9'
Playhouse Tower**
w/ (2) 3' x 8' Porches



**8' x 8'
Playhouse Cottage**
w/ 4' x 8' Porch



Kingdom Lodge
6x9 Stand Alone w/ Porch
6x9 Tower w/ Porch
9x9 Tower w/ Wrap Around Porch

VINYL SIDING COLORS



White



Almond

* Colors May Vary



Wood Grain

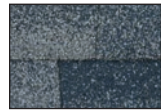
SHINGLE COLORS



Weatherwood



Black



Blue



Tan

***All Kingdom Lodge configurations are only available with poly siding and a black roof.**



*Colors May Vary

ACCESS OPTIONS & CONNECTORS



Tower Mounting Ladder



Flat Step Access Ladder
w/ Access Railing & Non-Skid Strips



12' Ramp w/Rope
(Also Available With Rails)



Bridge with Rails
6'-6", 8', 9'-9"



Bridge with Rope
6'-6", 8', 9'-9"



Tower Tunnel
6'-6" or 9'-9"

ROOF STYLES



Canvas Roof
(3' x 5' or 5' x 5')



Poly Roof
4' x 4' or 5' x 5'



Double Poly Roof
5' x 9'



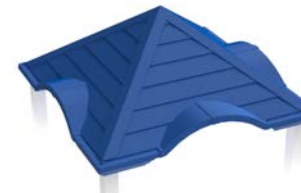
Gable Roof
4' x 4' or 5' x 5'



Lean-To Roof
4' x 4', 5' x 5'



Double Lean-To Roof
4' x 8' or 5' x 9'



Pyramid Roof
4' x 4' or 5' x 5'

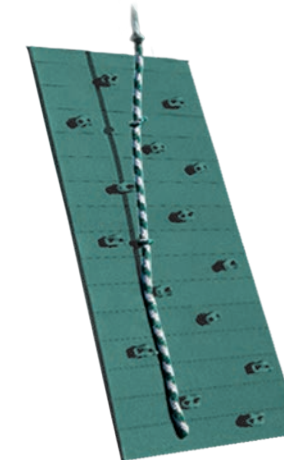


Pergola Roof
4' x 4', 5' x 5' or 5' x 9'
(Only Available in White or Almond)



Hexagon Roof
(Only available for Hexagon Tower)

CLIMBER OPTIONS



Rock Wall
3' x 7'



Rock Wall
3' x 5'



Cargo Net
4' x 5'



Warp Wall
8', 10', 12'



SWING BEAM OPTIONS



2 Position Single Beam
8' Long
(Also Available in Single High Beam)



3 Position Single Beam
10'6" Long
(Also Available in Single High Beam)



4 Position Single Beam
14' Long
(Also Available in Single High Beam)



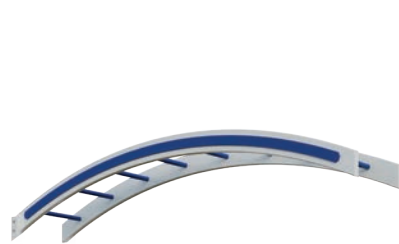
2 Position Climber Beam
8' Long



3 Position Climber Beam
10'-6" Long



4 Position Climber Beam
14' Long



3 Position Arch Beam
14' Long
(Only Available in White or Almond)
(Must Attach Between Two Towers)



32" x 36" Lookout
(Add to Any Climber Beam)



2 Position Cross Beam
(Only Available on a 5' x 5' Tower)

SLIDES



10' Waterfall Slide
(5' Deck)



10' Avalanche Slide
(5' Deck)



14' Avalanche Slide
(7' Deck)



5' Turbo Twister Slide
(5' Deck)



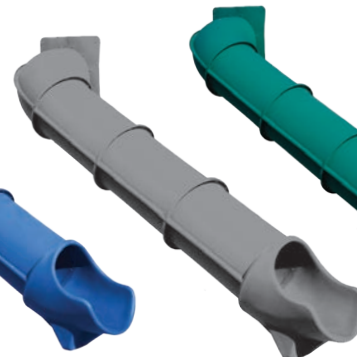
7' Turbo Twister Slide
(7' Deck)



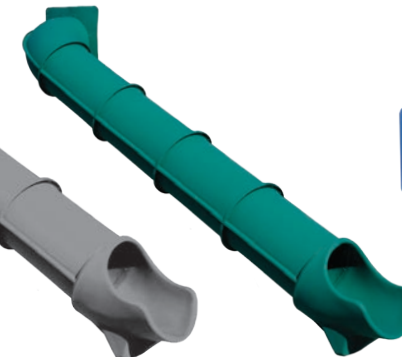
9' Turbo Twister Slide
(9' Deck)



5' Sidewinder Slide
(5' Deck)



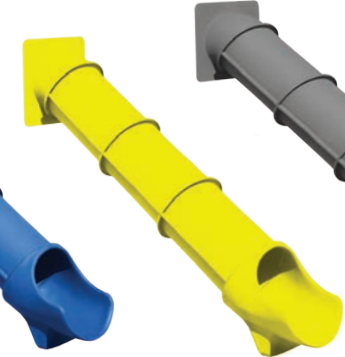
7' Sidewinder Slide
(7' Deck)



9' Sidewinder Slide
(9' Deck)



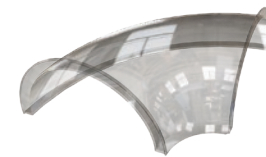
5' Tunnel Express Slide
(5' Deck)



7' Tunnel Express Slide
(7' Deck)



9' Tunnel Express Slide
(9' Deck)



Clear Elbow Tunnel
(Top Section Only)



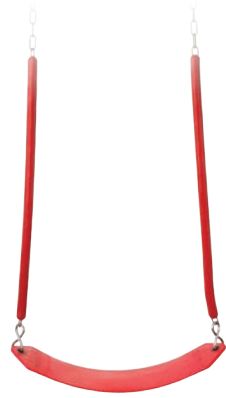
Clear Straight Tunnel
(Top Section Only)



All Slides Available In:



SWINGS



Belt Swing



Bubba Swing



Trapeze



Cyclone Disc



Buoy Ball



Trapeze Buoy Ball Combo



Uni Rider



Dual Rider



Adaptive Swing



Hammock Swing



Surf Swing



Web Swing



2-Rope Tire Swing



Tire Swing Ropes



3-Rope Tire Swing w/Swivel



Tire Swing Ropes



4-Rope Tire Swing



Tire Swing Ropes



QB Challenge



Net Colors



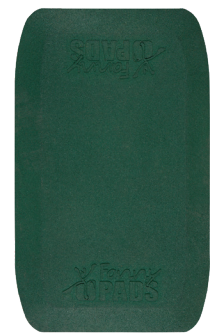
Rubber Infant Swing



Baby Swing



4-Point Swing Adapter



Fanny Pad 24" x 38"



FUN ITEMS



Megaphone



Binoculars



Spotlight



Telescope



Custom Sign



Olivia's Getaway

Custom Name Plate



Castle Wall



Lemonade Stand
2' x 4' | 2' x 5' | 2' x 6'
(Includes 2 Stools)



Steering Wheel



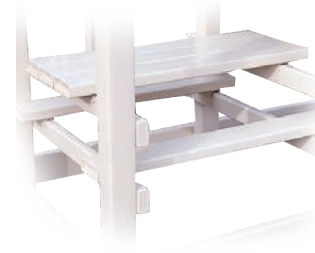
Ship's Wheel



TicTacToe



Bubble Panel



Picnic Table

4' x 4', 4' x 5' | 5' x 5', 5' x 6'



Water Cannon



Water Slide Adapter



Swing Beam Water Mister



Bubble Tunnel



Checkers Game Table



Kingdom Konnect 5



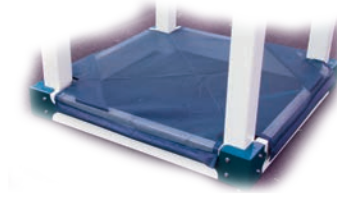
Fire Pole

5' or 7' Deck



Clubhouse Walls

5'w x 5'h x 5'd | 5'w x 7'h x 5'd
(Must have Lower Decking)



Sandbox Cover

3' x 5' | 4' x 4' | 4' x 8' | 5' x 5' | 5' x 9'
6' x 8' | 6' x 9' | 8' x 9' | 9' x 9'



Buzzer Beater Hoops



ABC Activity Panel

(36" x 30")



Kingdom Clock Panel



(Front) (Back)



Fire Truck Activity Panel

(36" x 30")



FINISHING TOUCHES

LANDSCAPE BORDERS



Standard Style Border (Brown) 4'L x 6'h



Flexwall Border 4'L x 6'h

RUBBER MULCH

1 ton of Rubber Mulch covers 250 square feet at 3" depth.



Swing Kingdom rubber mulch can provide extra shock absorption for when kids fall or stumble while at play. With proper installation and adequate depth (around six inches), a rubber mulch surface will give up to 16 feet of critical fall height protection compared to gravel or wood mulch. It can cushion many mishaps and help your child avoid fractures, brain trauma, and other playground-related injuries.

Swing Kingdom rubber mulch has been proven time and again to be the best rubber playground mulch and protection surface. Its main benefits include:

Features/Benefits:

- Unmatched shock absorbency
- Significant reduction of playground injuries - creates safer playgrounds
- Non-toxic
- Minimal maintenance
- Will not attract insects or rodents
- Stands up to extreme weather conditions
- Exceptional longevity
- Won't dirty up kids' clothing, skin, and hair
- Cost-effective long-term option to regular playground infills
- Recommended by the Consumer Product Safety Commission to use as a playground surface
- Up to 60% savings versus ordinary engineered wood fiber or wood mulch in playground application
- Requires up to 50% less material than wood mulch
- Rubber mulch does not float, absorb water or blow away
- All of our products are proudly made in the USA, and are GSA, ASTM, and IPEMA certified

PLAYGROUND TURF



Features & Benefits:

- Drains quickly after rainfall for quicker return to play
- Natural look and feel provides visual appeal
- Low maintenance — no watering or mowing
- Cooler surface temperature compared to other surfacing
- Does not hide dangerous foreign objects
- Does not get in the eyes, mouths or hair of children
- Does not scatter onto walkways and cause tripping or slipping hazards
- Maintain a uniform impact resistance even in high traffic areas - do not get displaced like loose fill surfacing options
- Maintain effectiveness even in high humidity and cold temperature
- Does not support microbial growth — can even include an antimicrobial infill for an added level of protection against bacteria, mold and mildew

TURF CUSHION



Features & Benefits:

- Meets ASTM F1292 requirements for up to a 12' fall height
- Reduces allergic reactions caused by grass
- Dries quickly, allowing children to play immediately following rain
- Consistent HIC safety ratings
- Eliminates constant maintenance of loose fill surfacing

SAFETY OPTIONS



Hand Bar



MC Handrail



Access Railing



Lower Deck Railing

FREE STANDING SWING SETS



Fan Back Lawn Swing Set
190"w x 48"d x 45"h



Free Standing Swing Frame
11' Wide x 9' Deep x 8' High
White PVC w/ Green Accents

*Standard Color Options Available

WE WANT TO THANK YOU!

Thank you for choosing Swing Kingdom playsets to enhance your backyard and provide your children with the safest playset possible. We're sure you'll appreciate the value and convenience of a non-splintering, low maintenance playset that your children will enjoy for years. Our goal is to provide unmatched safety and comfort in an innovative playset design that encourages active play. Unlike wood, our vinyl playsets will remain smooth to the touch. The innovative SLIP RESISTANT SURFACE is non-splintering, making it safe to play on day after day. The nontoxic, nonabsorbent vinyl material does not require the maintenance time and harsh chemical treatments that are necessary for wooden playsets. In addition, we use stainless steel hardware for extra strength.

We value your business. As a Swing Kingdom customer, you can always expect an excellent product along with the very best service we can provide! Thank you for joining the thousands of customers across the nation who chose Swing Kingdom.

- The SK Team



SWING KINGDOM WARRANTY

Swing Kingdom offers an extensive Limited Lifetime Warranty on your backyard playset.

Scan here to visit our website for more details or contact your local sales representative.

BUILDING ADVENTURE

"The monkey bars don't hurt my hands anymore."
Elijah, Age 8

"It's almost like real rock climbing!"
Starlyn, Age 8

"We love the swirly slides."
Ana, Age 6

"We don't get blisters or splinters because it's not wood."
LeBron, Age 8

"This (playground) is better than I could imagine. They play hide and seek."
Diane Hurst, Principal,
Linville Hill Christian School, Paradise, PA

NATIONWIDE!

 = 1 of the Thousands of Swing Kingdom Playsets in Backyards Like Yours!



Swing Kingdom

MIGHTY PLAYSETS. SERIOUS FUN.

CONTACT US AT:

CONNECT WITH US ON:



©2023 Swing Kingdom, LLC. All rights reserved.

No part of this catalog may be reproduced in any form without the prior expressed written authorization of Swing Kingdom, LLC.